



Apex Microwave Co. LTD

Web: www.apextech-mw.com E-mail: sales@apextech-mw.com TEL: [+86-28-85555062](tel:+86-28-85555062)

Add: Yuehu Technology Center, Wuhou District, Chengdu, Sichuan, China

Coaxial Attenuator AATDC40GxdB

Revision record

Date	Version	Author	Revision description	Comment
2024//09/27	V1.4	Vivian	Created	/

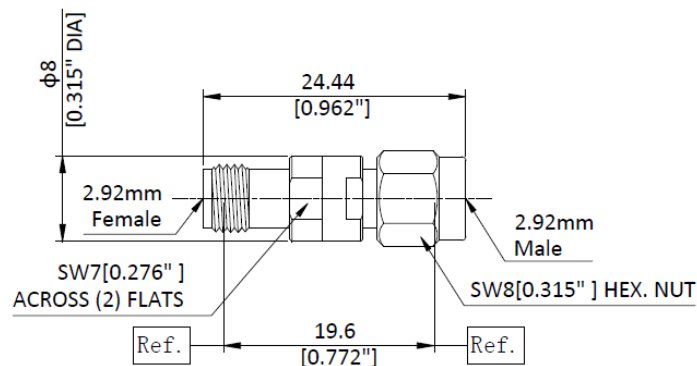
Electrical specification

Parameter	Specifications									
Frequency range	DC-40GHz									
Model number	AATDC4 0G1dB	AATDC4 0G2dB	AATDC4 0G3dB	AATDC4 0G4dB	AATDC4 0G5dB	AATDC4 0G6dB	AATDC4 0G10dB	AATDC4 0G20dB	AATDC4 0G30dB	AATDC4 0G40dB
Attenuation	1dB	2dB	3dB	4dB	5dB	6dB	10dB	20dB	30dB	40dB
Deviation (DC-26.5GHz)	±0.5dB									±1.0dB
Deviation (26.5-40GHz)	±0.8dB									±1.2dB
VSWR	≤1.25									
Power	2W									
Impedance	50Ω									
Temperature range	-55°C to +125°C									

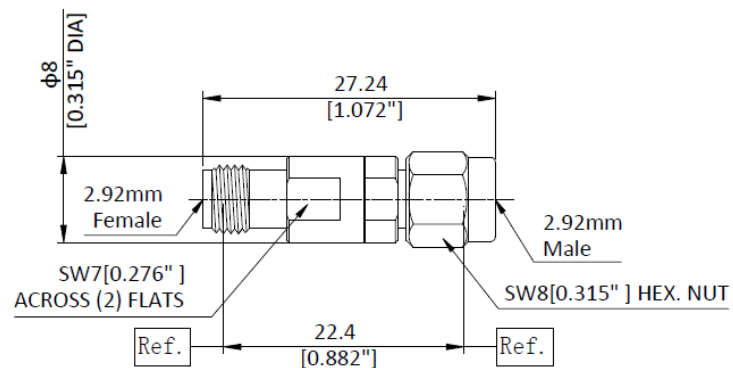
Mechanical specification

Dimension	Attenuation 1-30dB: Size1
	Attenuation 40dB: Size2
Connectors	2.92-Female to 2.92-Male
Interface	Comply With IEC 61169-35
Durability	>2000 Cycles
Housing	Stainless Steel, Polished & Passivated
Center Conductor	Beryllium Copper, Gold Plated
Dielectric	PEEK
Nut	Stainless Steel, Polished & Passivated
Notes	Material shall be RoHS 6/6

Outline



Unit: mm



Unit: mm